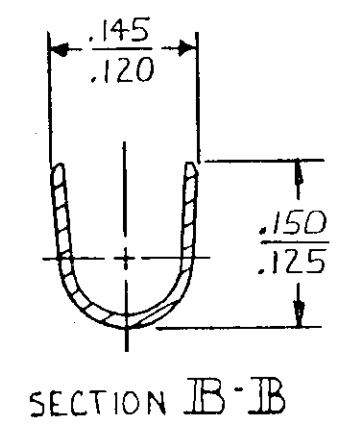
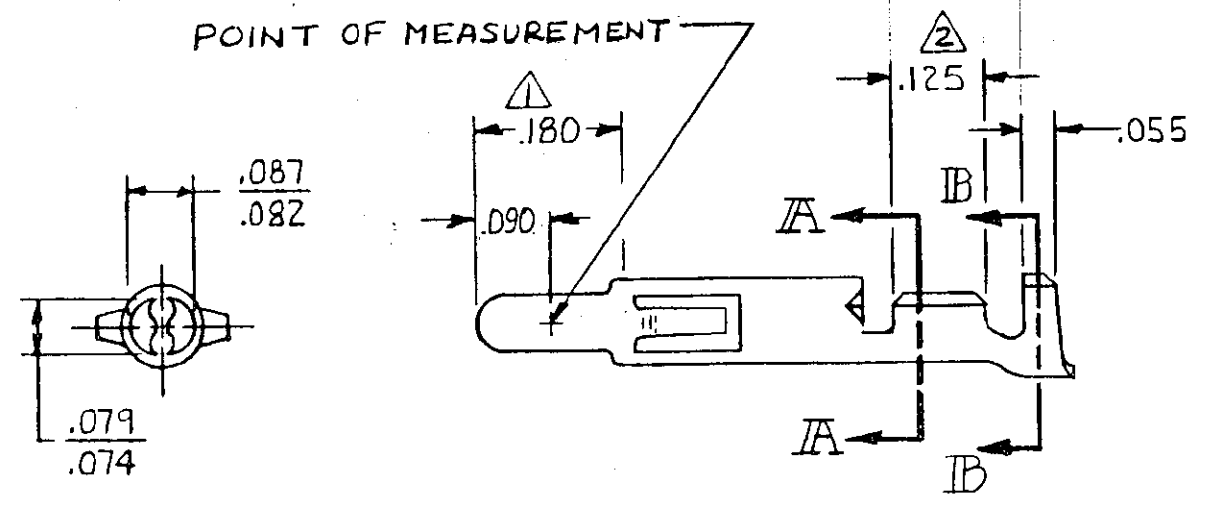
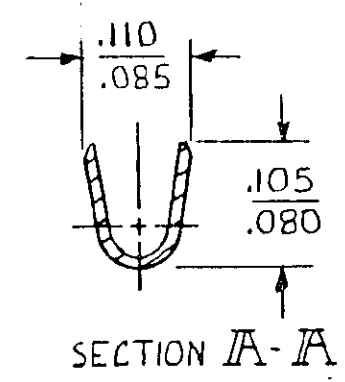
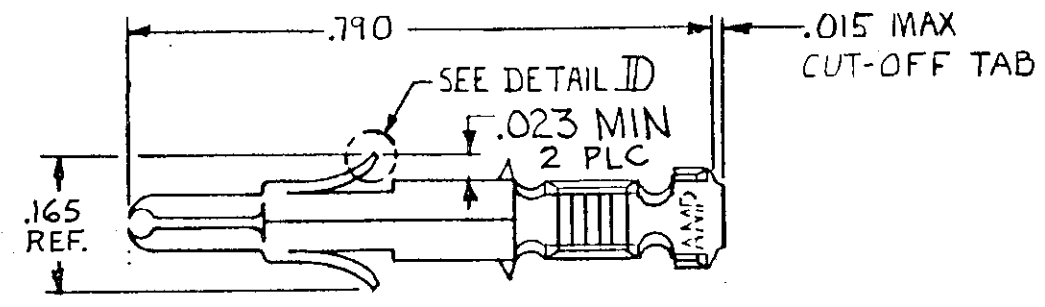
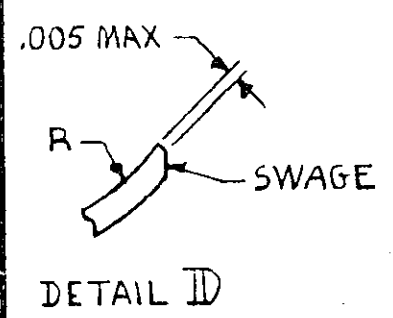


© COPYRIGHT 1975 BY AMP INCORPORATED, HARRISBURG, PA.  
ALL INTERNATIONAL RIGHTS RESERVED. AMP INCORPORATED PRODUCTS  
COVERED BY U. S. AND FOREIGN PATENTS AND/OR PATENTS PENDING.



REVISIONS						
P.	F.	ZONE	LTR	DESCRIPTION	DATE	APPROVED
✓	✓		D	REDRAWN & UPDATED M-6457	6-8-81	MSF/SH
✓	✓		E	REVISED M-7350	7/25/83	DAS/SH
✓	✓		F	REVISED AG 57	10/21/83	SO W. JAMES S. JAMES
✓	✓		FI	RESTORED	4/23/85	MC/KS
✓	✓		G	REVISED PER CM-1728	9-6-88	PH/TB
			H	REV PER EC 0730-3607-91	1-7-94	RV/RS

- △ PLATED WITH .000030 GOLD, OVER .000050 NICKEL UNDERPLATE.
- △ PLATED INTERNALLY WITH .000030 GOLD.

MATERIAL	FINISH	PART NO
.012 BRASS	GOLD △1	350706-7
.012 BRASS	GOLD △1/2	350706-2
	PRE-TIN	350706-1

UNLESS OTHERWISE SPECIFIED DIMENSIONS ARE IN INCHES. TOLERANCES ON: DECIMALS ±.015 ANGLES ±	CONTRACT NO		AMP   AMP INCORPORATED Harrisburg, Pa.	
	DR. m. Feher 4-9-81			
	CHK. D. Steide 6/9/81		NAME SPLIT PIN, (LOOSE PIECE) UNIVERSAL MATE-N-LOK	
	APPD. R. Palachuk 6/10/81		DRAWING NO 350706	
WIRE RANGE 24-18 AWG	DSGN APPD	SIZE B	CODE IDENT NO 00779	SHEET
INSULATION RANGE .100 DIA MAX	OTHER APPD	SCALE 4-1		